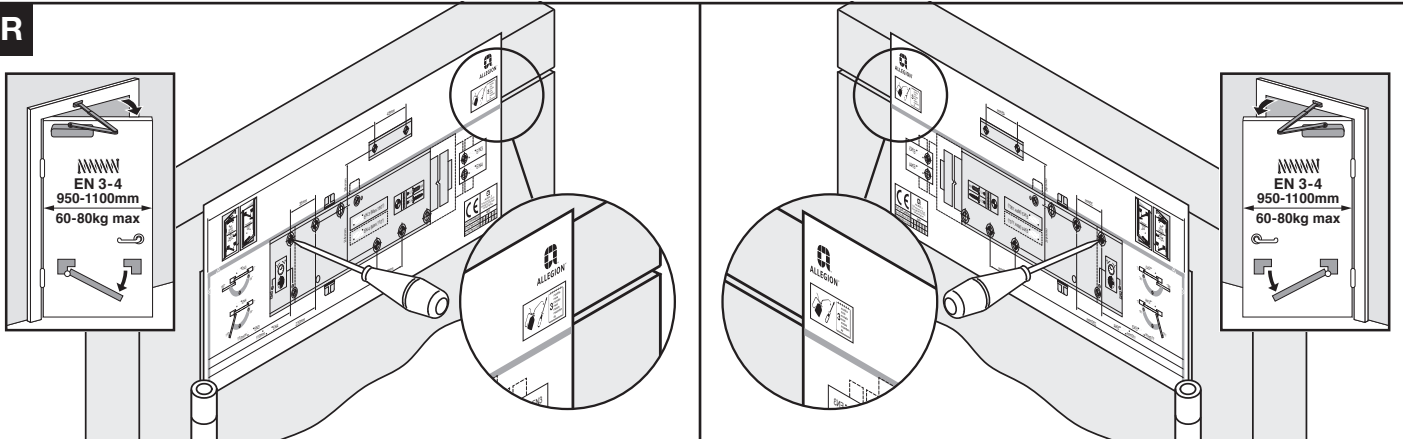
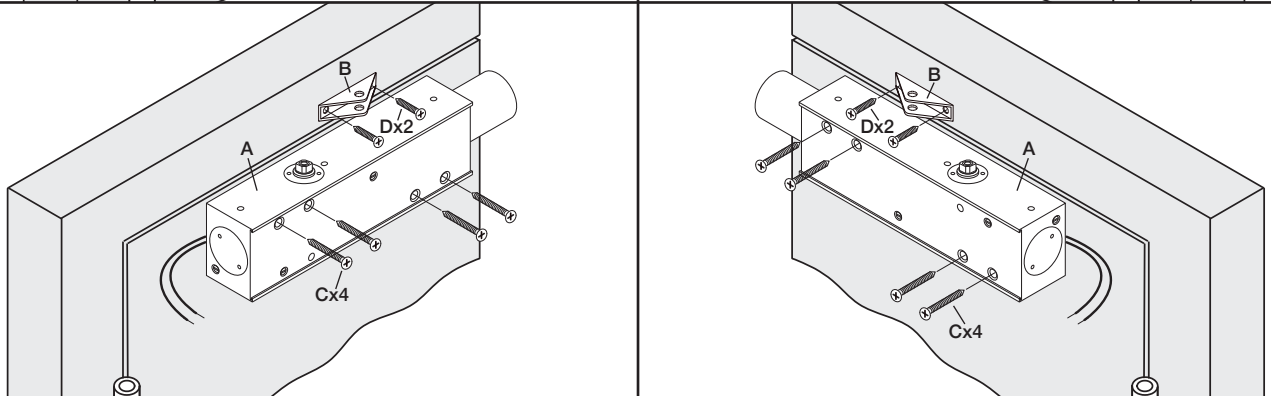


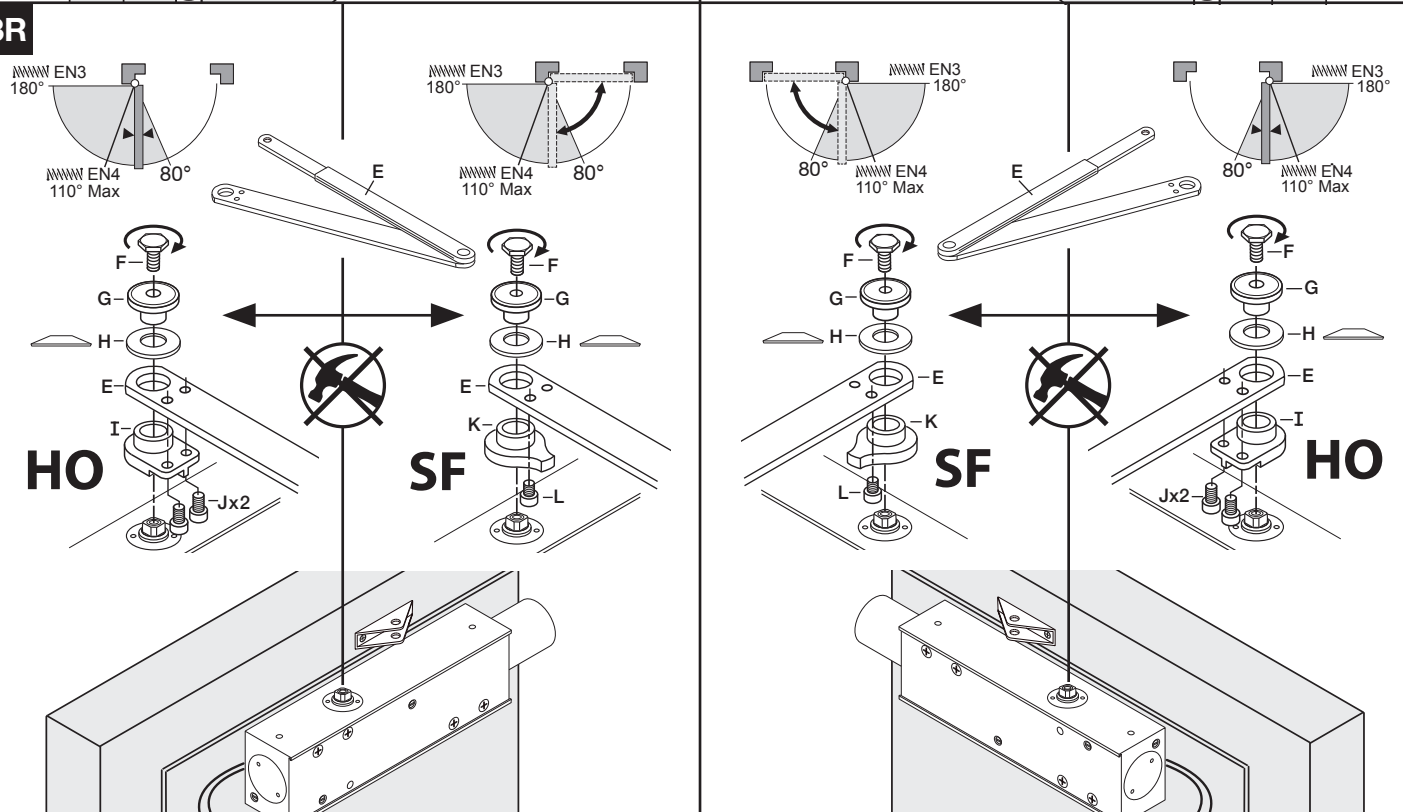
1R



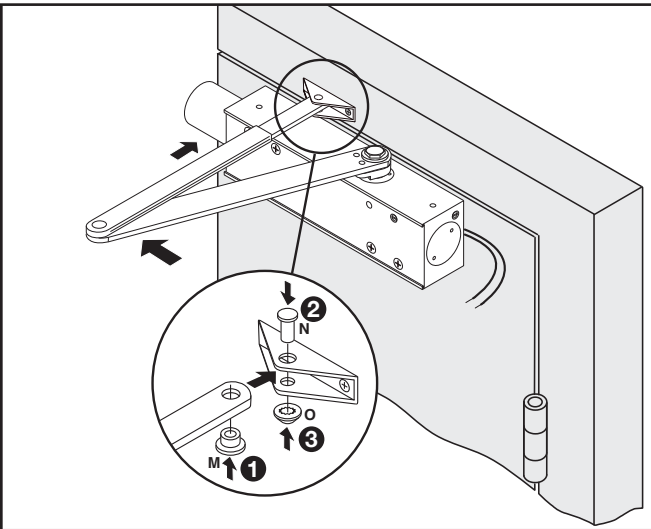
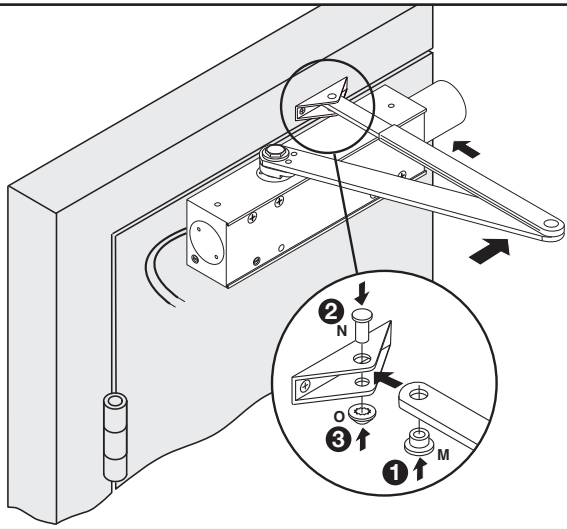
2R



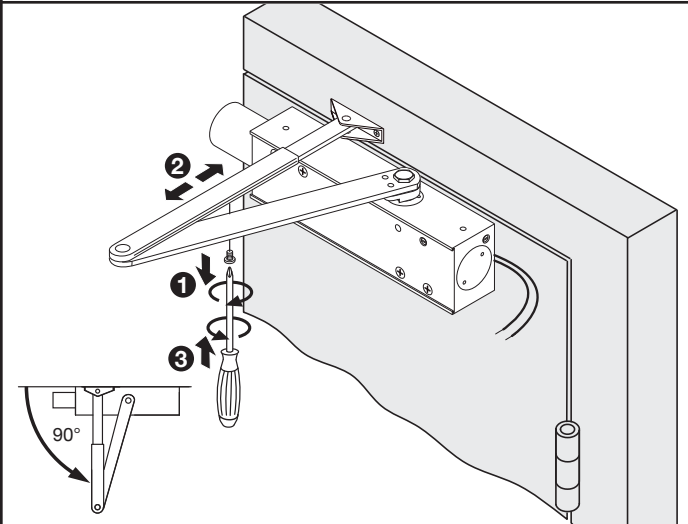
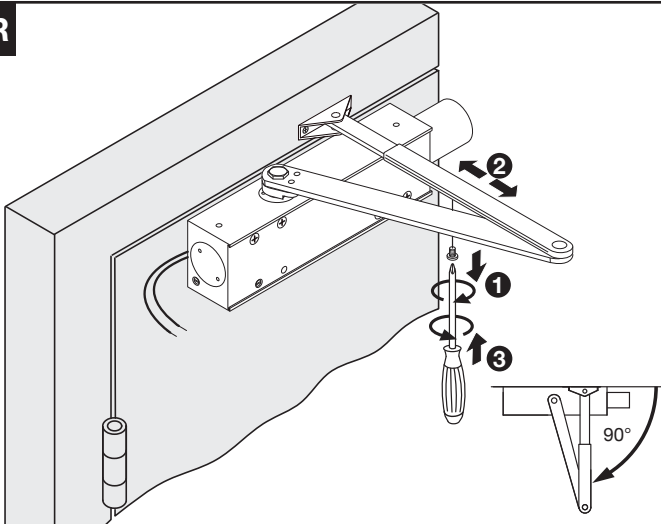
3R



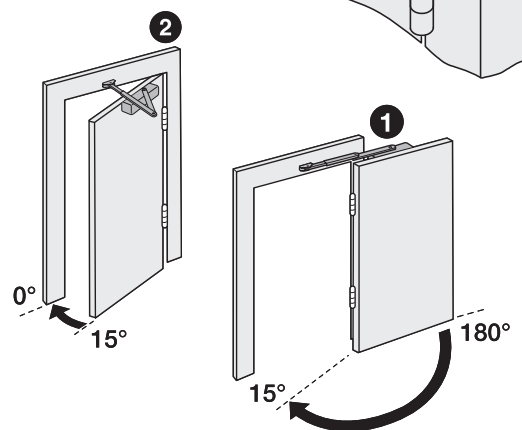
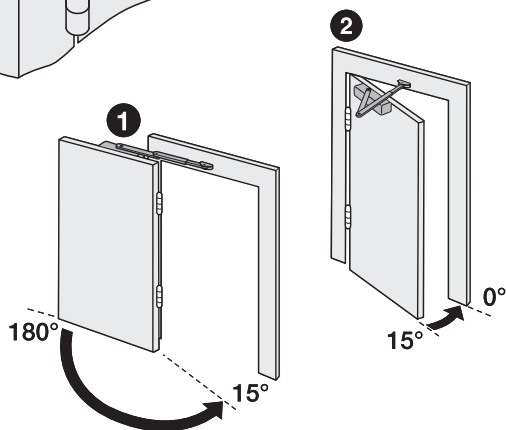
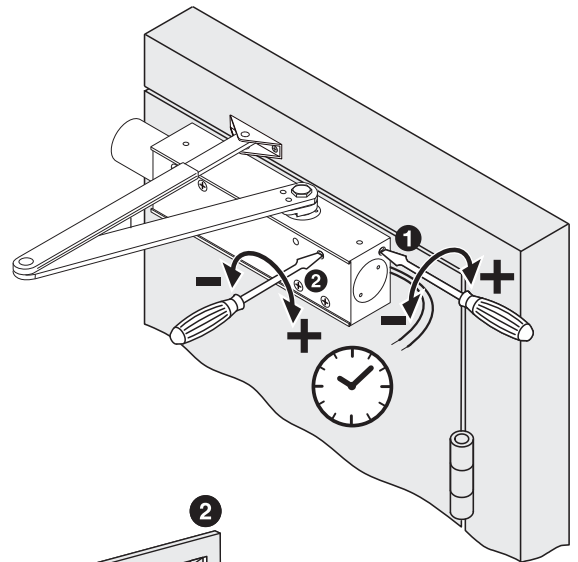
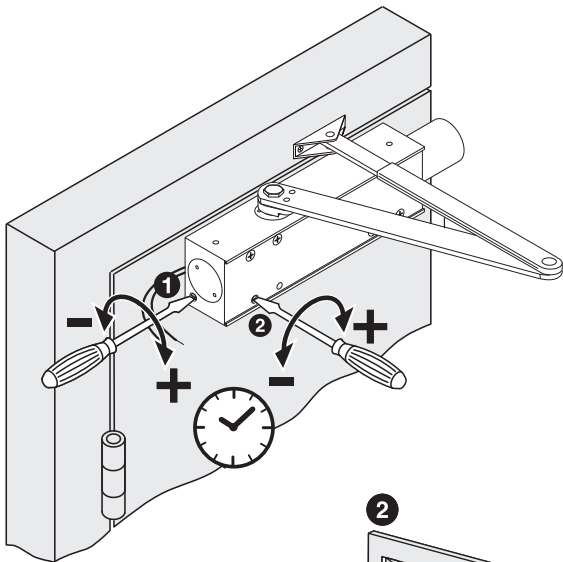
4R



5R

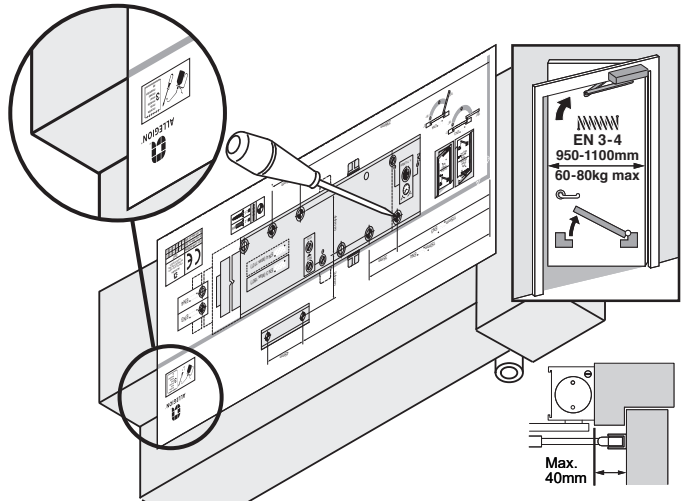
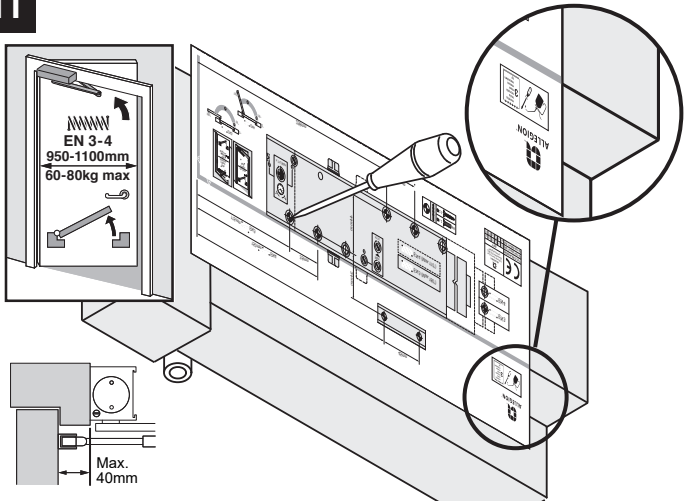


6R

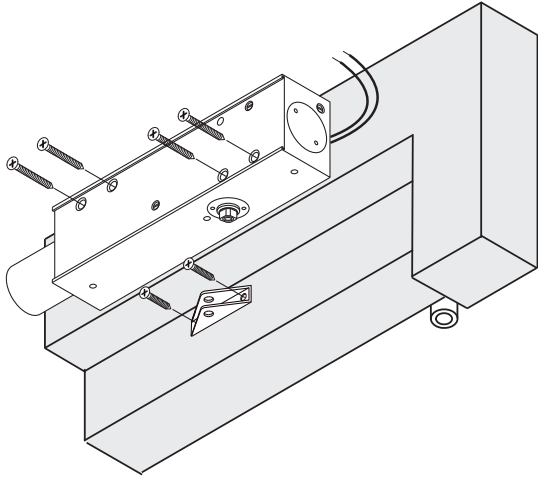
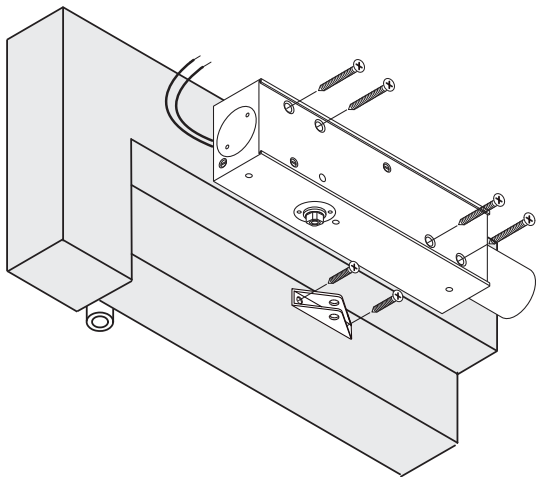


➔ 7

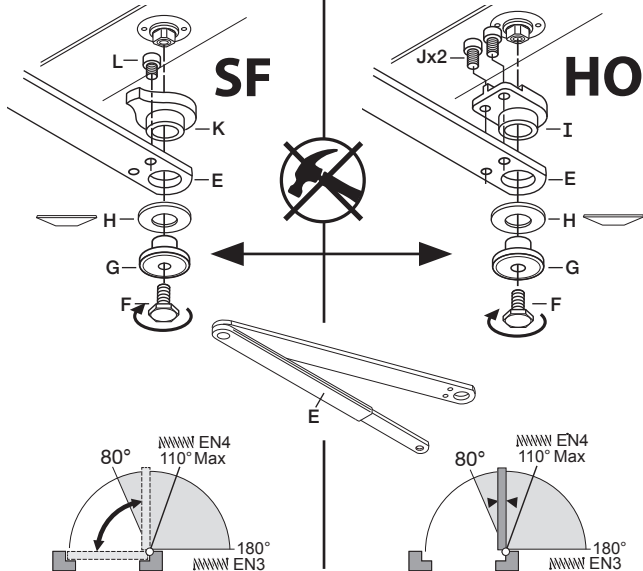
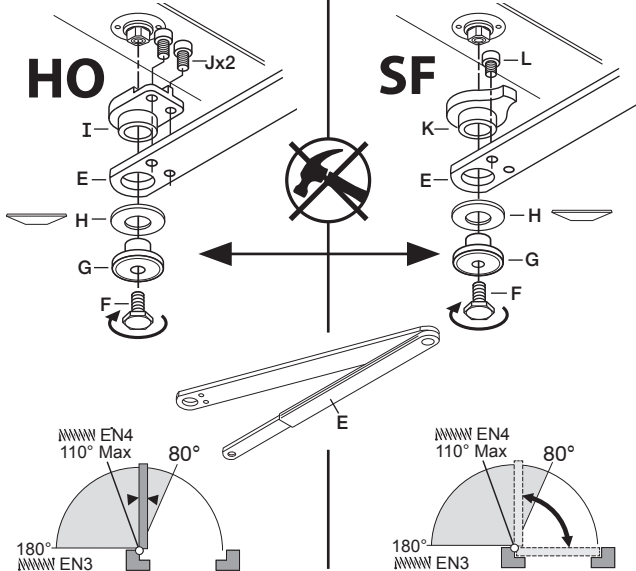
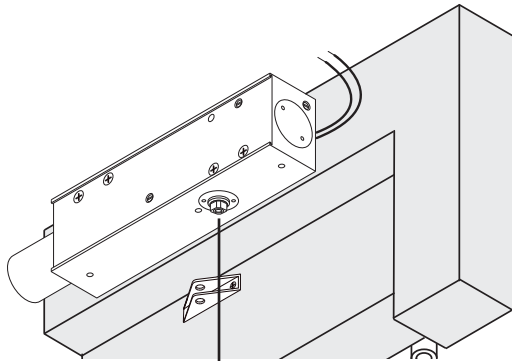
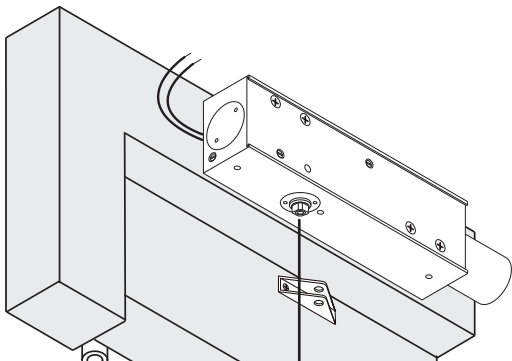
1T



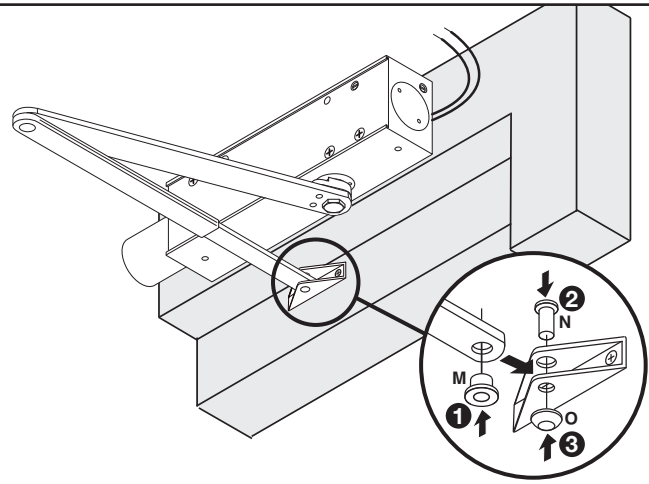
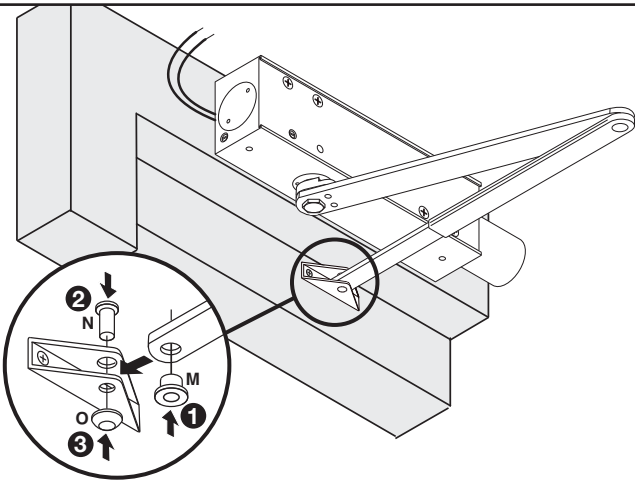
2T



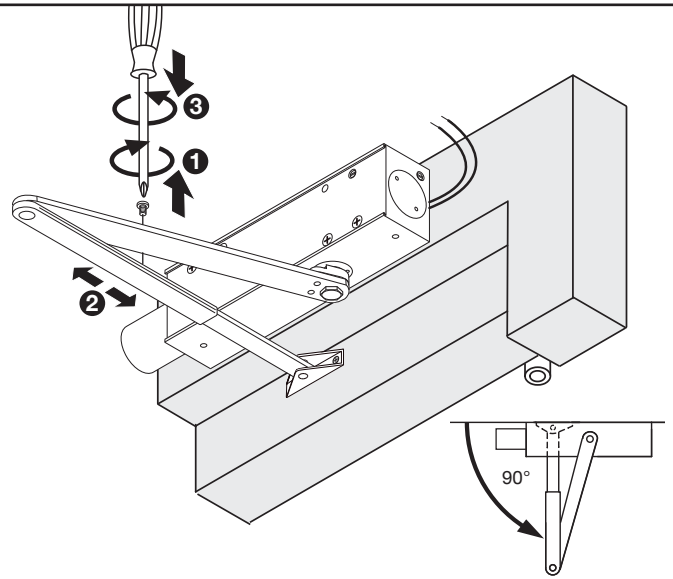
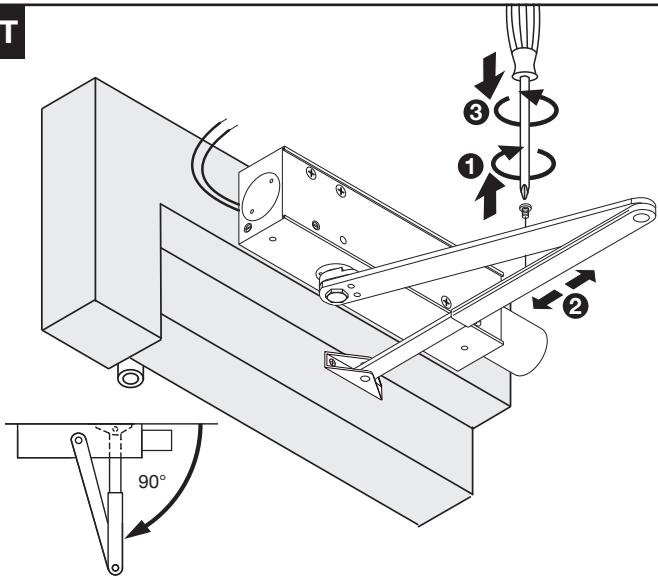
3T



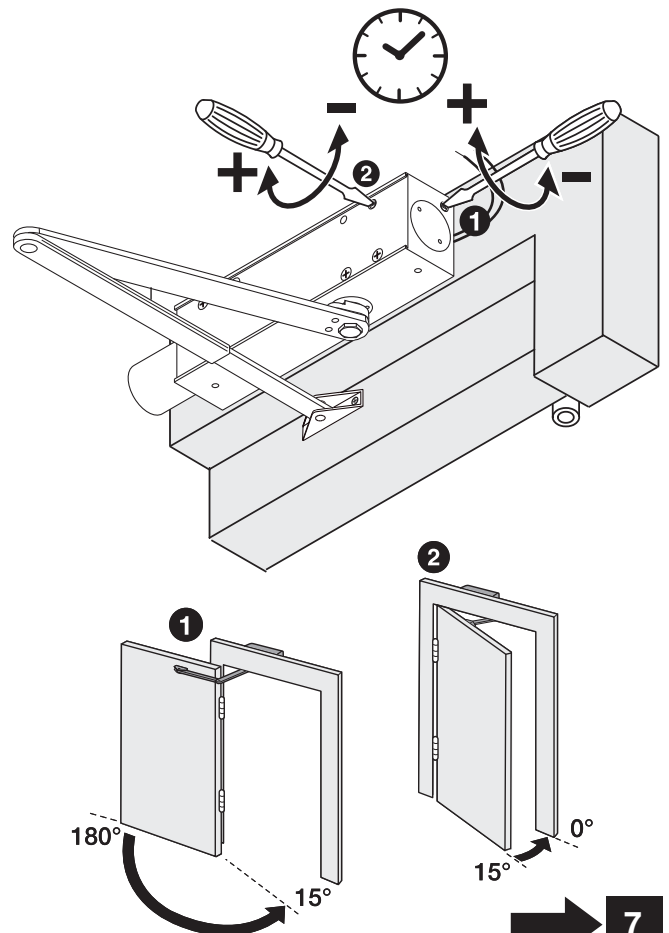
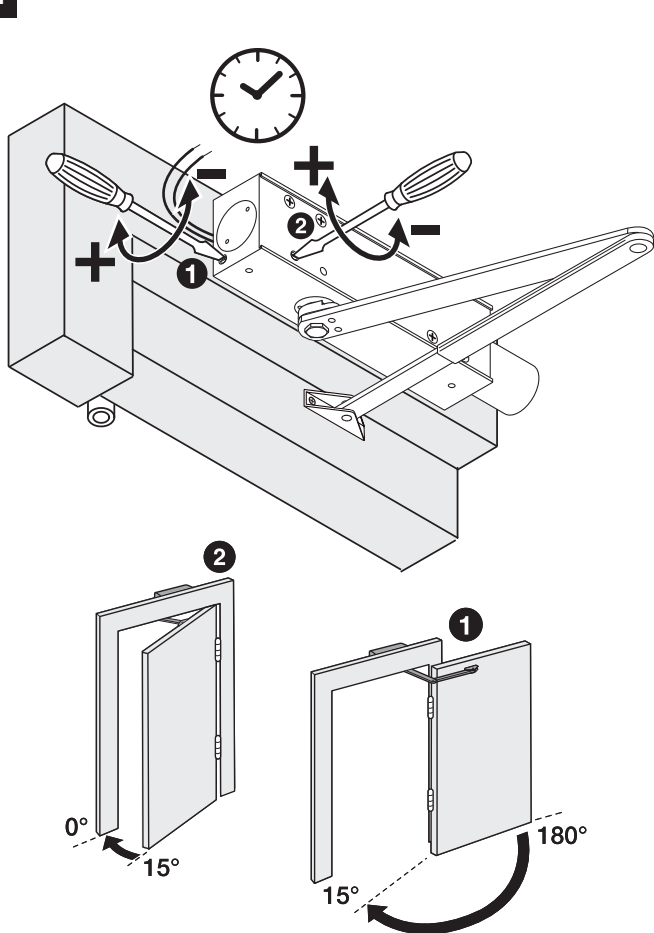
4T

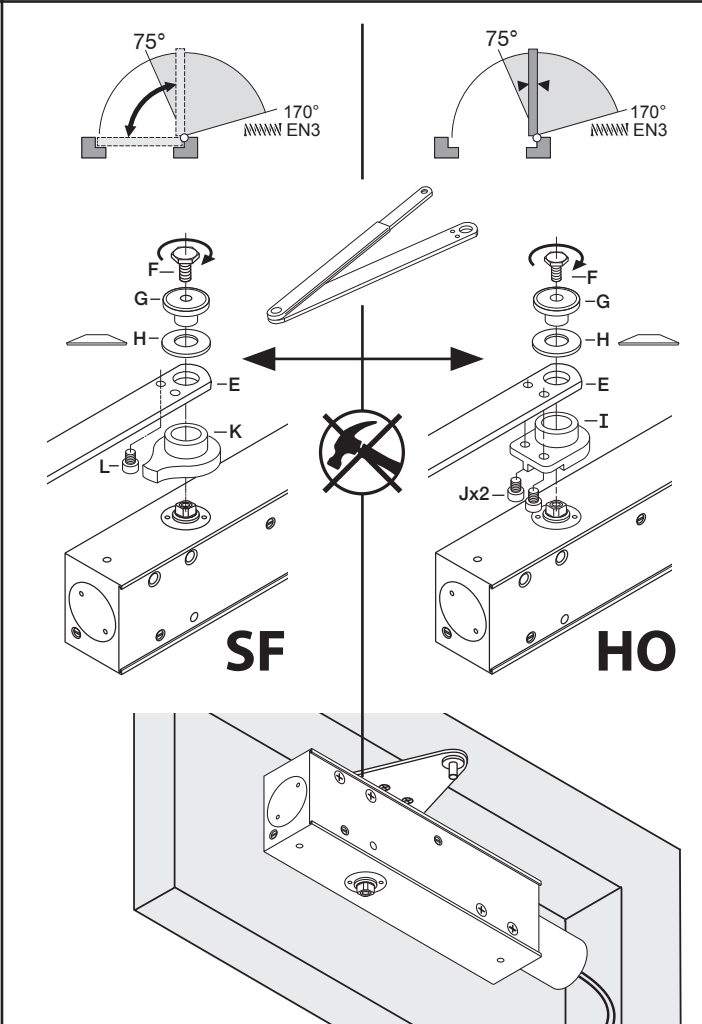
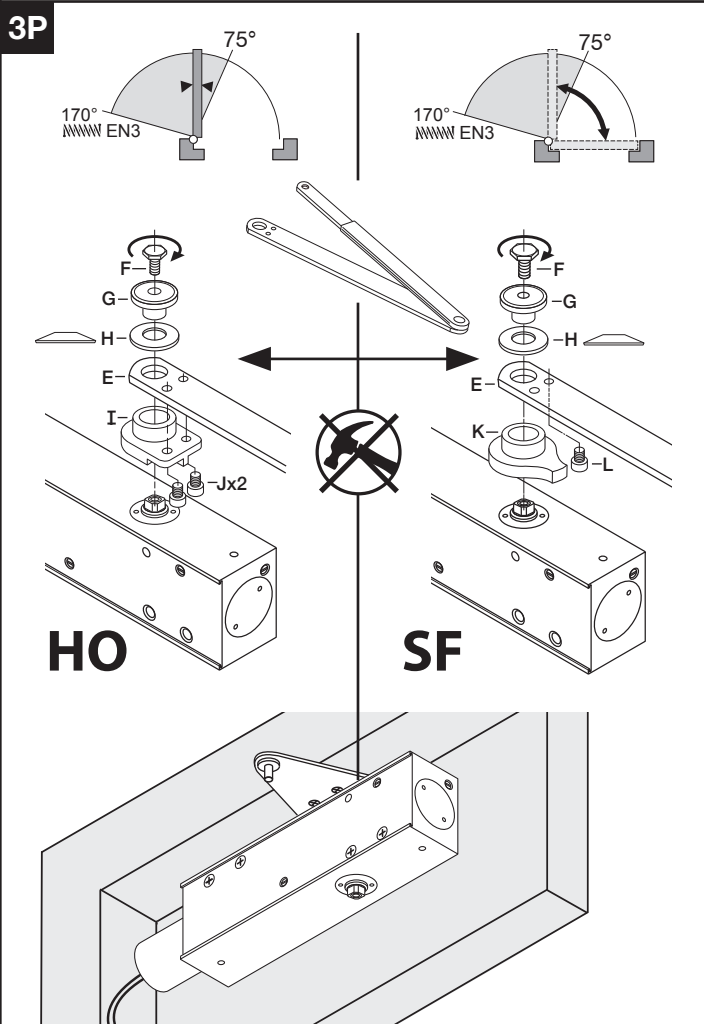
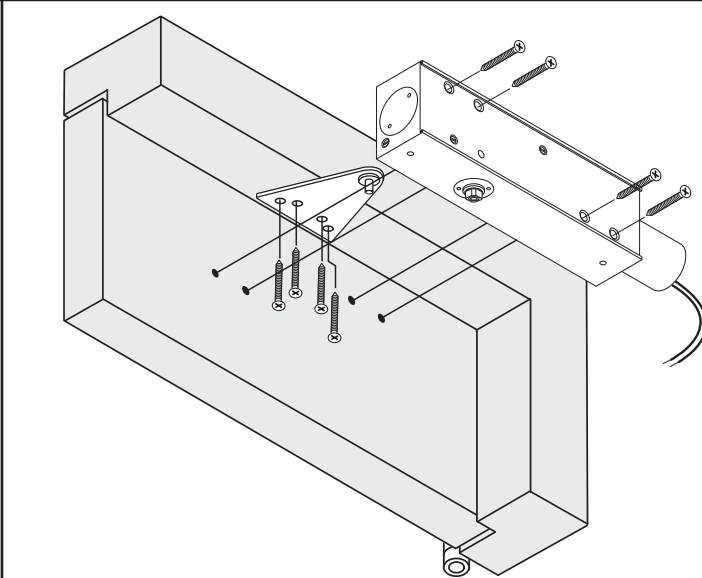
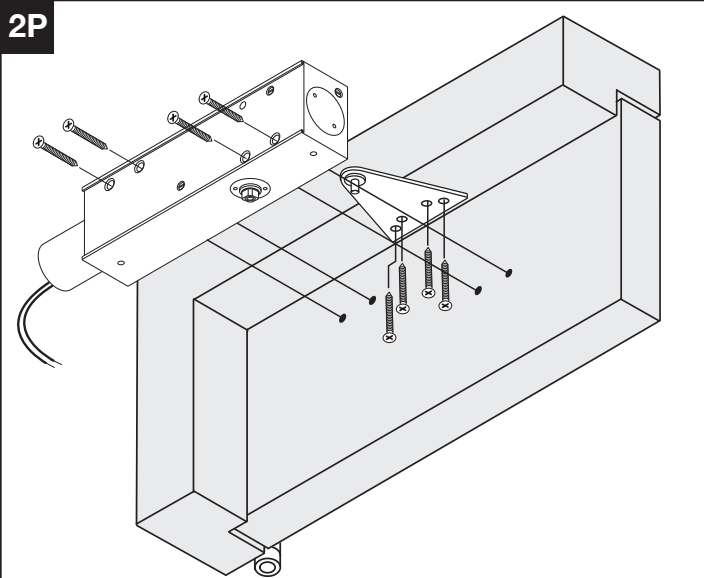
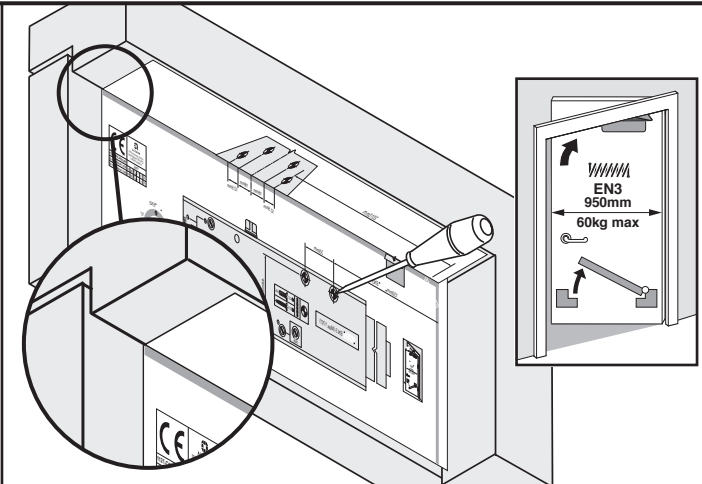
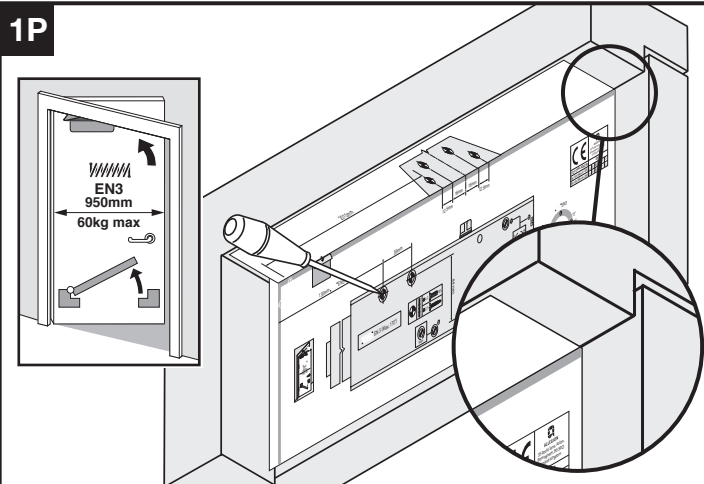


5T

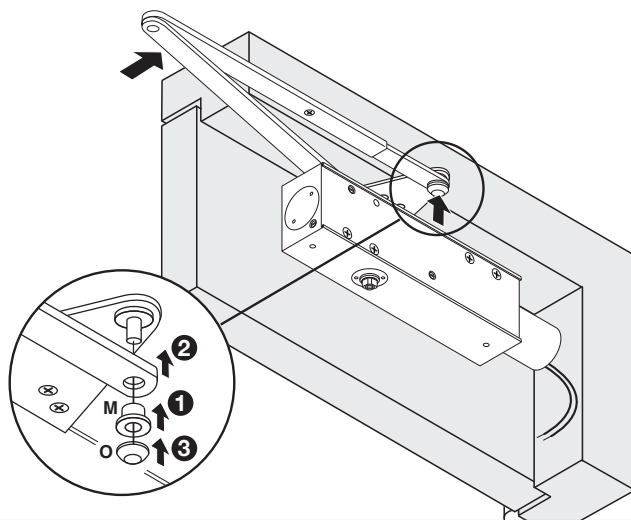
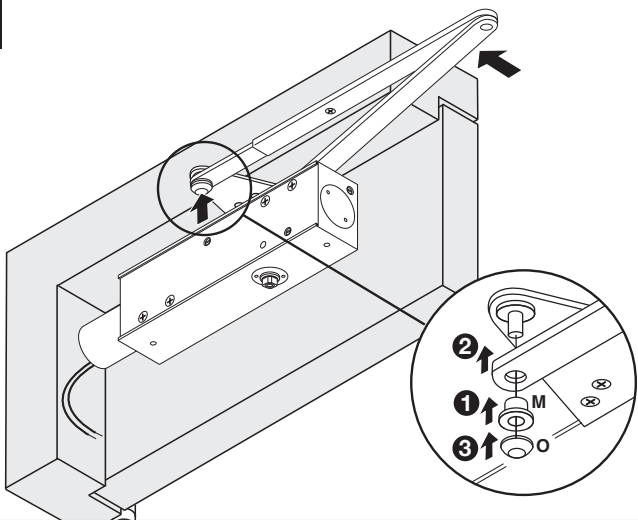


6T

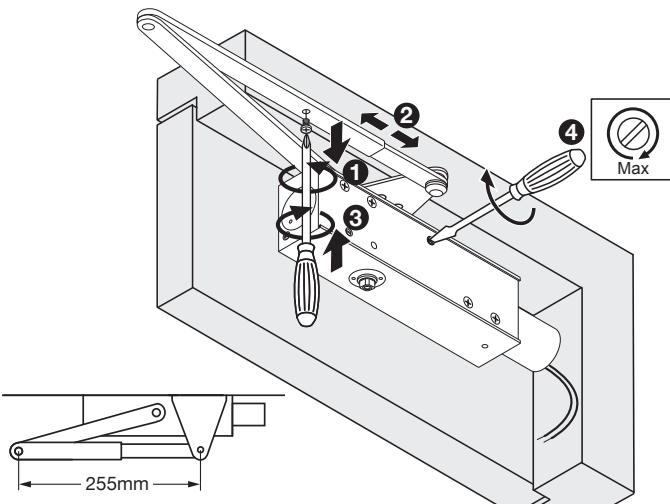
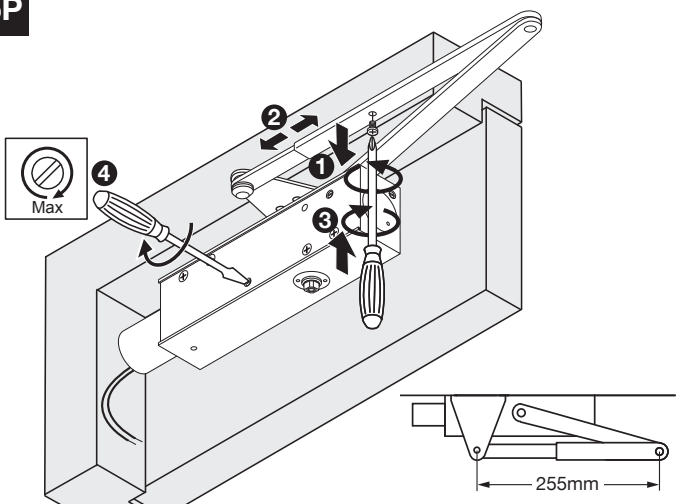




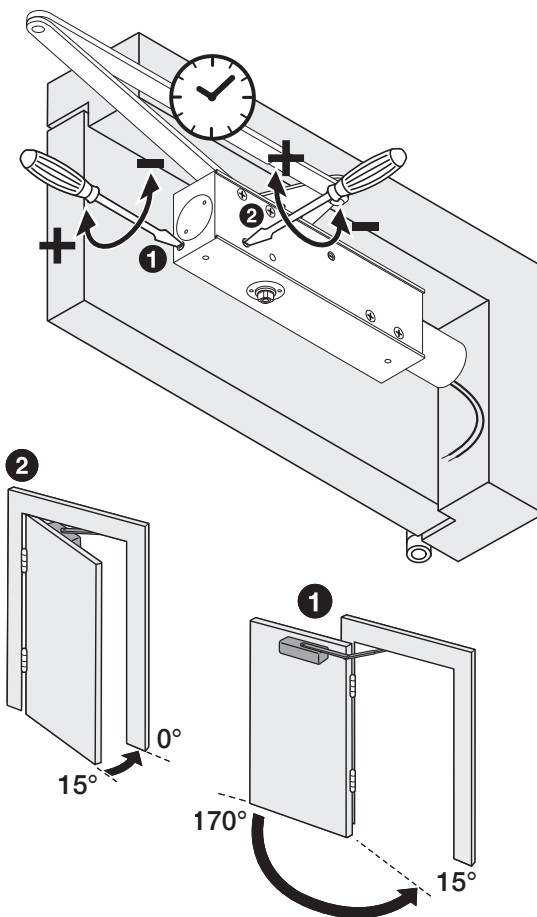
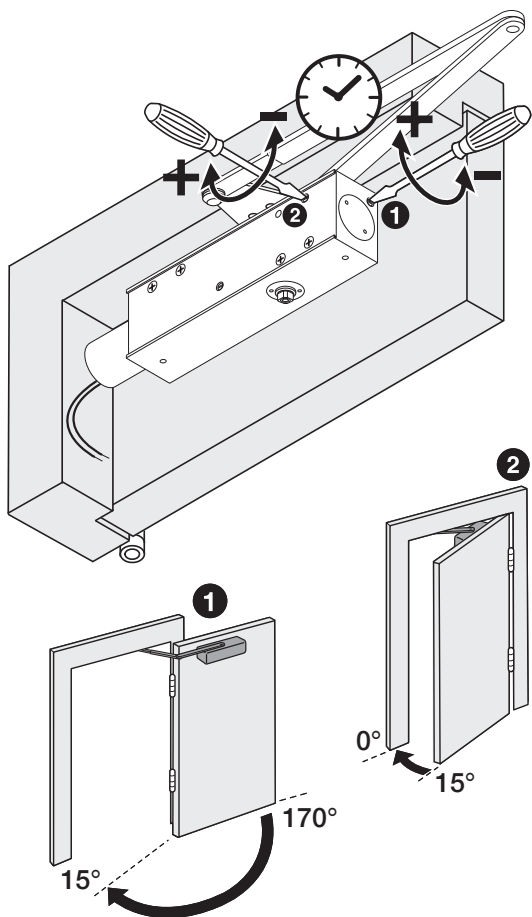
4P



5P

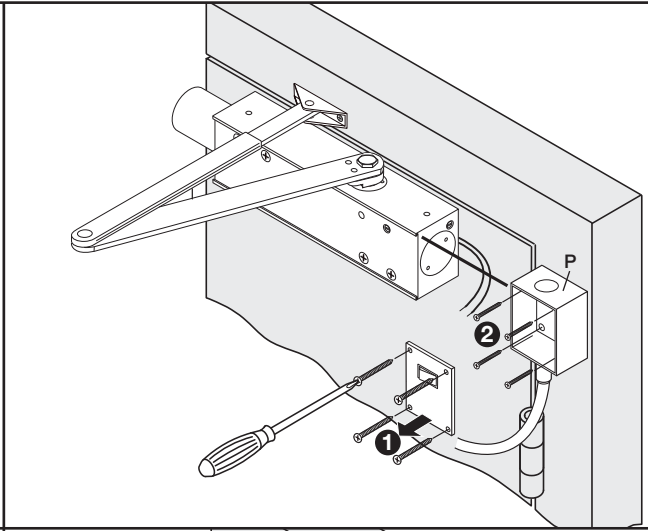
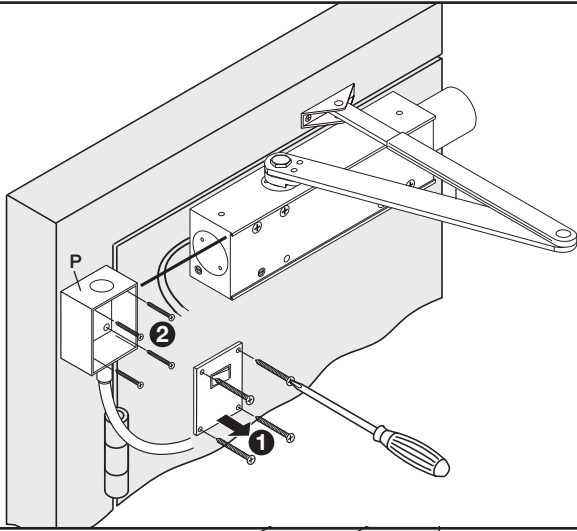


6P

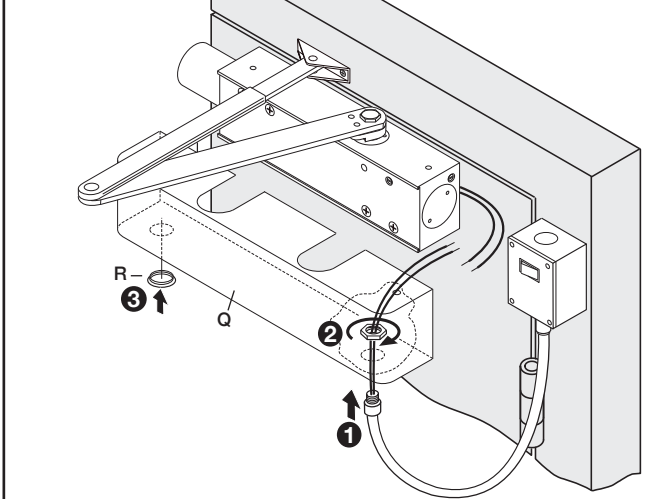
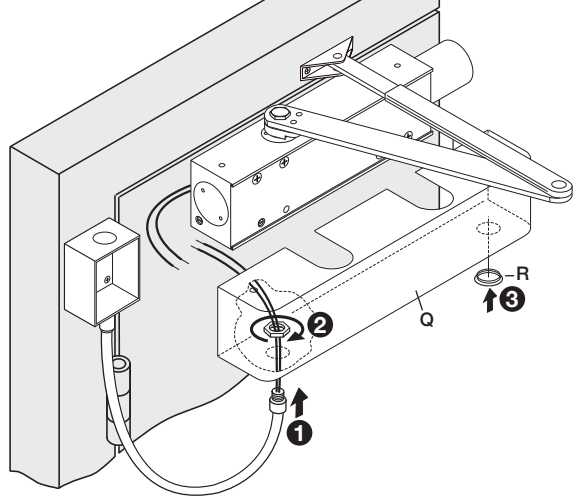


7

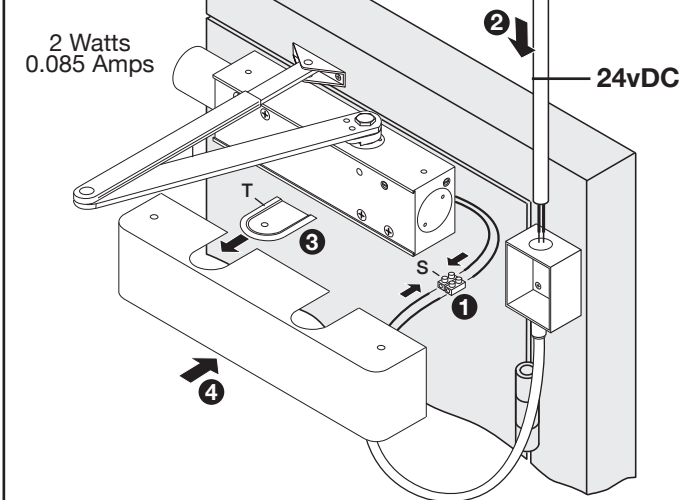
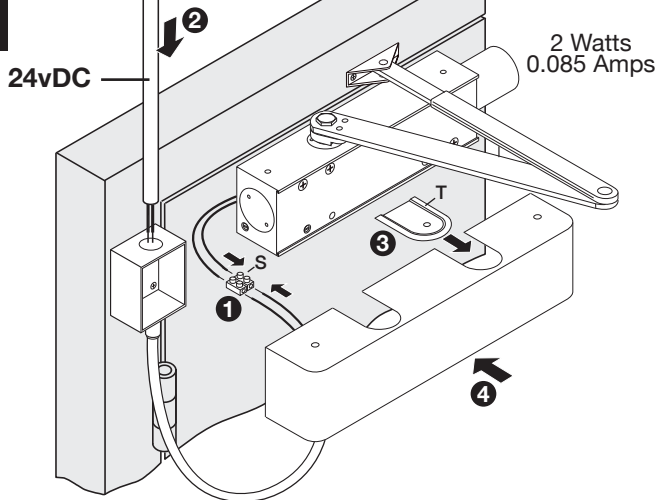
7



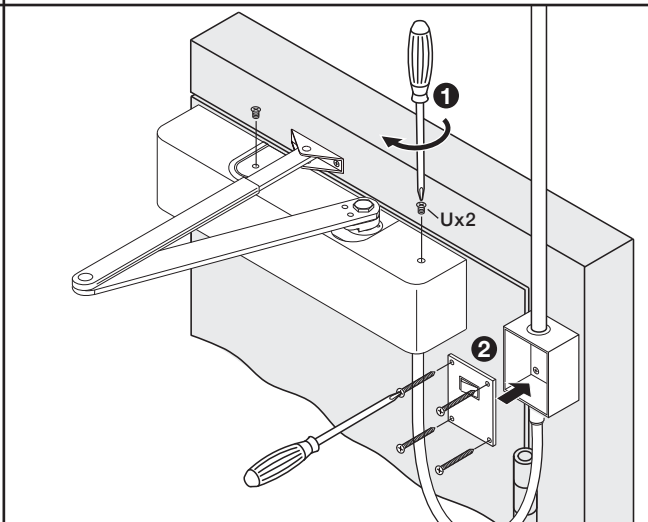
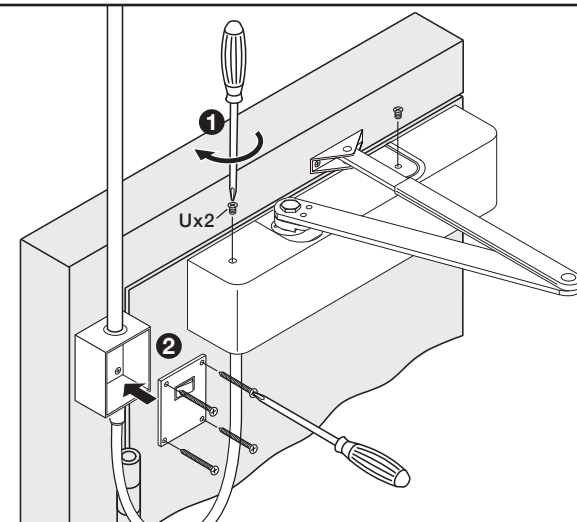
8

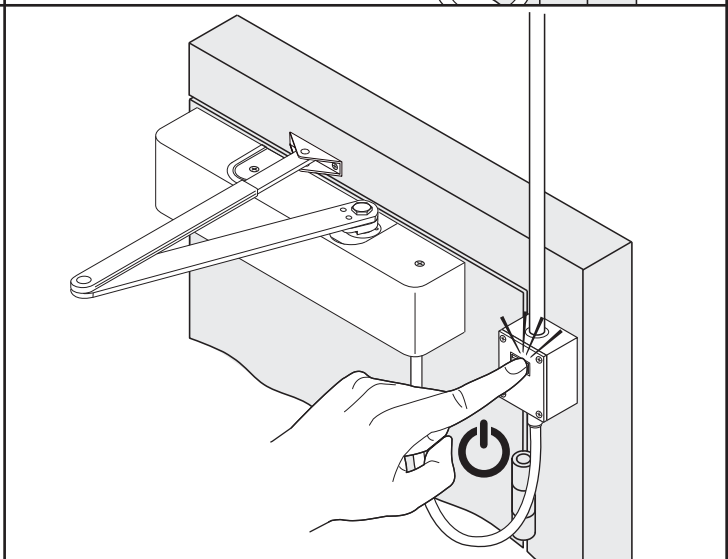
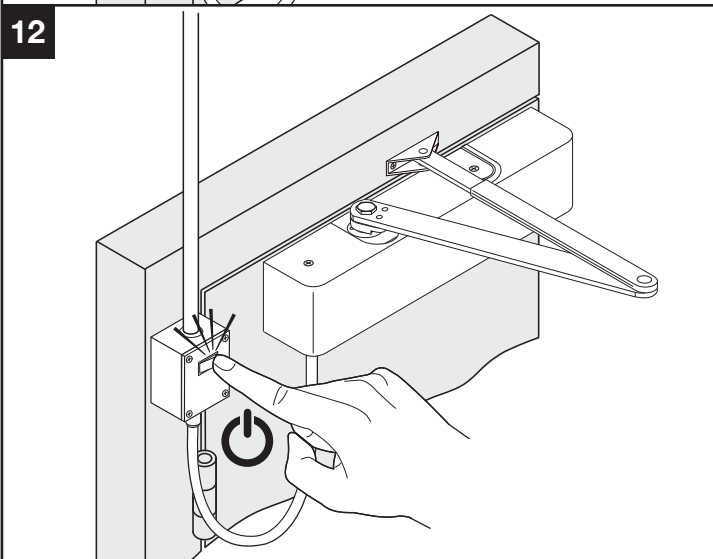
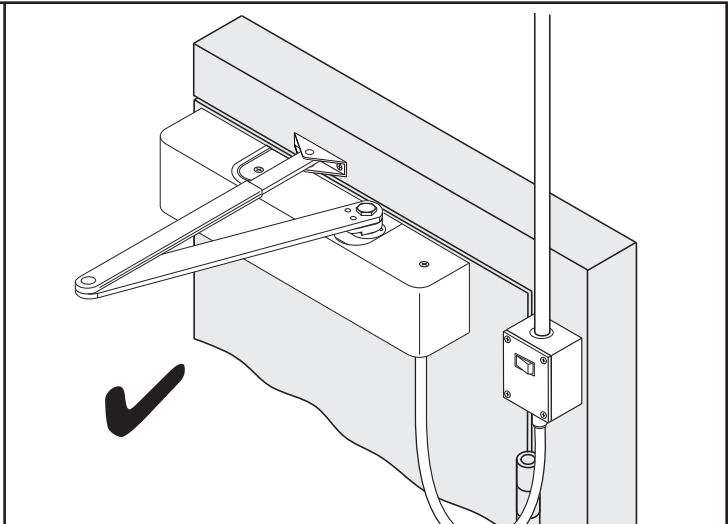
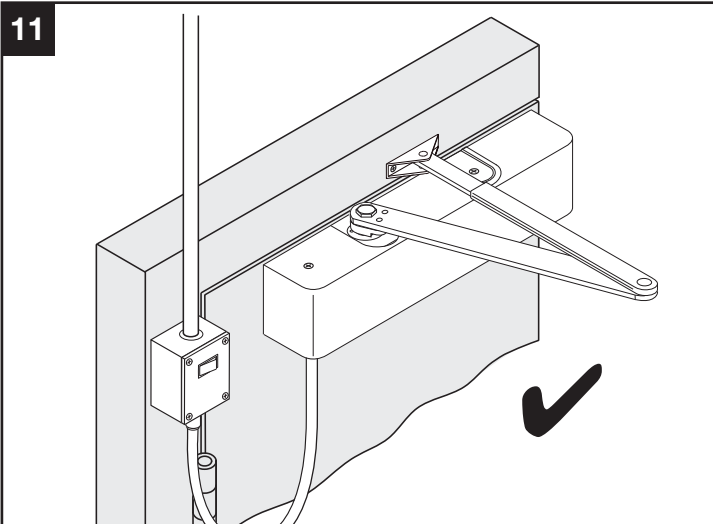


9



10





CE	 ALLEGION™ 35 Rocky lane, Aston, Birmingham, B6 5RQ, United Kingdom.					
	2812-CPR-AE5012			2024		
EN 1154:1996+A1: 2002	3	8	3/4	1	1	3
EN 1155:1996+A1: 2002	3	8	3/4	1	1	3
UK CA	1121-CPR-UK- AE7885					
	2024					

certifire
CF 5023